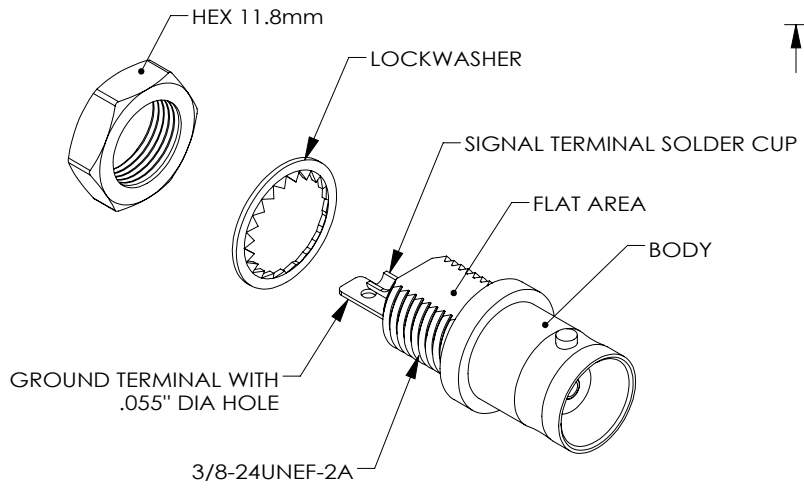
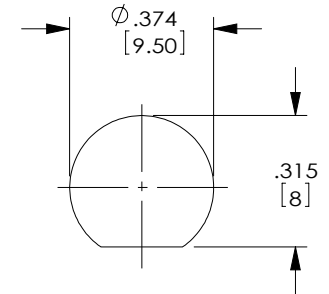
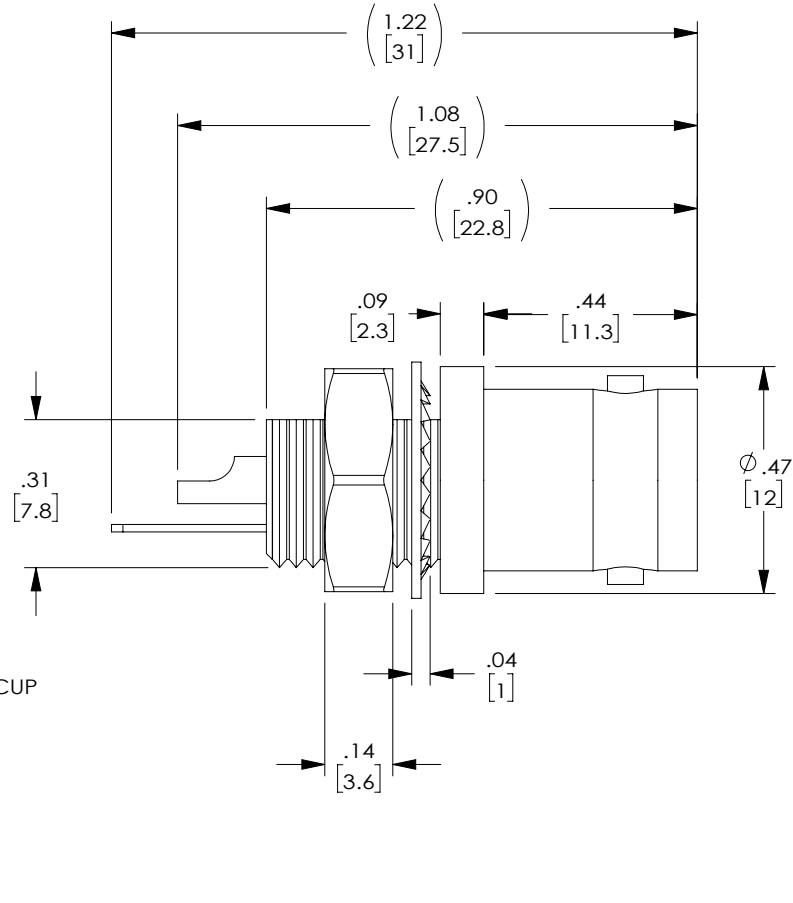


THE INFORMATION CONTAINED IN THIS DRAWING IS THE SOLE PROPERTY OF L-COM, INC. ANY REPRODUCTION IN PART OR WHOLE WITHOUT THE WRITTEN PERMISSION OF L-COM, INC. IS PROHIBITED.


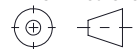
REVISION					
ZONE	REV	DESCRIPTION	DATE	CHANGED BY	APPROVED
	A	INITIAL RELEASE	09/25/2023	SLI	WLI

DESCRIPTION	MATERIAL	FINISH
BODY	BRASS	NICKEL PLATE
PIN	BRASS	GOLD PLATE
GROUND TERMINAL	BRASS	GOLD PLATE
INSULATOR	ABS	-
HEX NUT	BRASS	NICKEL PLATE
LOCK WASHER	STEEL	NICKEL PLATE
MOUNTING AREA	ABS	-



NOTES:
 IMPEDANCE: 50 OHM

COMPONENT SHALL BE INDIVIDUALLY PACKAGED IN ACCORDANCE WITH L-COM SPECIFICATION PS-0031.

UNLESS OTHERWISE SPECIFIED, DIMENSIONS ARE IN INCHES [mm] OVERALL CABLE LENGTH TOLERANCE: ≤12 [305] = +1 [25] / -0 >12 [305] ≤60 [1524] = +2 [51] / -0 >60 [1524] ≤120 [3048] = +4 [102] / -0 >120 [3048] ≤300 [7620] = +6 [152] / -0 >300 [7620] = +5% / -0 ALL OTHER DIMENSIONAL TOLERANCES: .X = ± .2 [5] FRACTIONS ± 1/32 .XX = ± .02 [5] ANGLES ± 1° .XXX = ± .005 [1.3]	APPROVALS SLI	DATE 09/22/2023	 50 High Street, West Mill, North Andover, MA 01845 USA. Phone: 1.800.341.5266 1.978.682.6936		
	DRAWN BY WLI	CHECKED BY WLI		APPROVED BY WLI	
	CONFIGURATION DETAILS OF UNDIMENSIONED FEATURES MAY VARY				
THIRD-ANGLE PROJECTION 	COLOR VARIATIONS MAY OCCUR	SIZE A	CAGE CODE 43321	ITEM NO. LCCN3215	REV. A
		SCALE: NONE	CAD FILE: LCCN3215.SLDDRW	SHEET 1 OF 1	

CATEGORY COAXIAL		
PRODUCT DESCRIPTION RECEPTACLE BNC F BHD INSULATED		