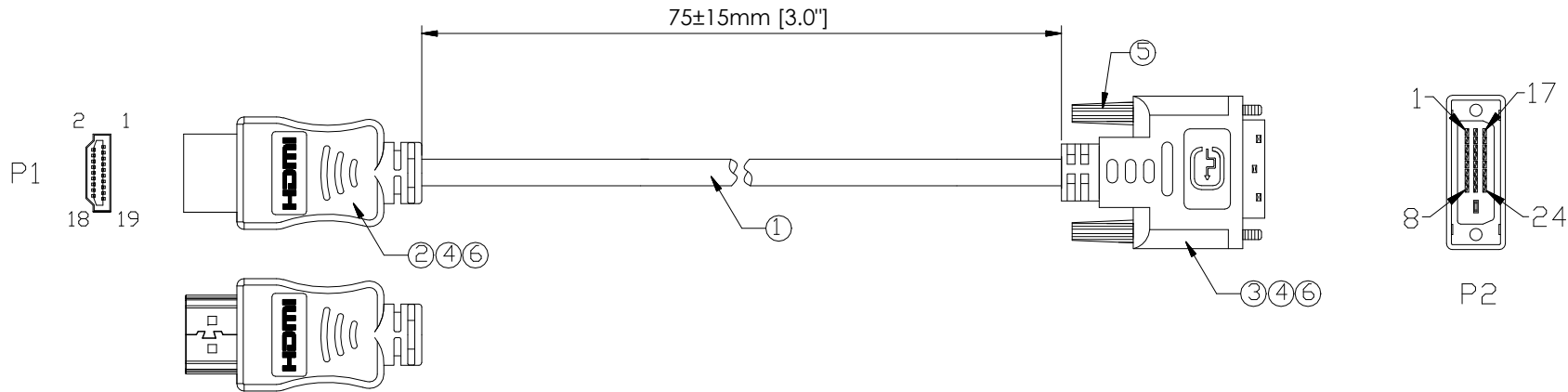


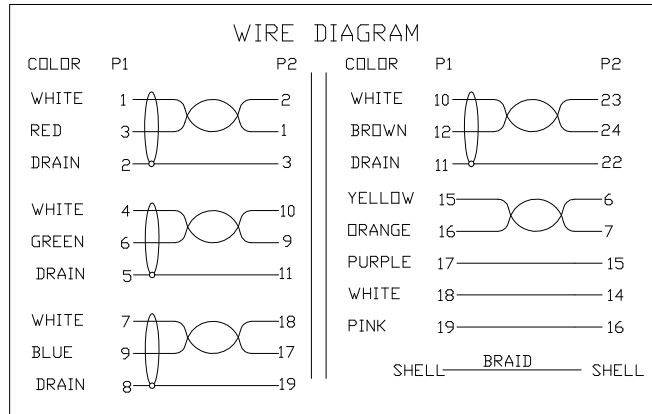
THE INFORMATION CONTAINED IN THIS DRAWING IS THE SOLE PROPERTY OF L-COM, INC. ANY REPRODUCTION IN PART OR WHOLE WITHOUT THE WRITTEN PERMISSION OF L-COM, INC. IS PROHIBITED.

REVISIONS			
REV	DESCRIPTION	DATE	APPROVED
A	INITIAL RELEASE PER BRIAN GATES	03/30/17	J.LABOY
B	ECN 8743: CHANGE PACKAGING SPEC FROM PKG-00012 TO PS-0031.	05/01/17	J.LABOY



**DIMENSION IN METRIC**

ITEM	DESCRIPTION	UNIT	QTY
6	INNER MOLDED PE CLEAR	SET	1
5	SCREW OD: 2.8*44 #4-40UNC OR EQU	SET	1
4	OUTER MOLDED PVC: 45P BLACK	SET	1
3	DVI: 24+1 MALE DOLD FLASH SOLDER TYPE, INSULATION:BLACK	SET	1
2	HDMI A TYPE PLUG, TERMINAL & SHELL PLATED GOLD	SET	1
1	UL20276 HIGH SPEED HDMI (30#1P+D+A)*4+30*1P+28#5C+A+B (AM)+D(BC) OD:6.0MM BLACK 2080MM	MM	75mm



**NOTES:**

TEST CONDITION:  
 CONDUCT RESISTANCE: 5 OHM  
 INSULATION RESISTANCE: 10M OHM  
 VOLTAGE: DC 250V

PACKAGING:  
 COMPONENT SHALL BE PACKAGED IN ACCORDANCE WITH L-COM SPEC PS-0031

REGULATORY COMPLIANCE:  
 CE 2011/65/EU(RoHS DIRECTIVE)



UNLESS OTHERWISE SPECIFIED, DIMENSIONS ARE IN INCHES [mm] OVERALL CABLE LENGTH TOLERANCE: ≤12 [305] = +1 [25] / -0 >12 [305] ≤60 [1524] = +2 [51] / -0 >60 [1524] ≤120 [3048] = +4 [102] / -0 >120 [3048] ≤300 [7620] = +6 [152] / -0 >300 [7620] = +5% / -0%	APPROVALS	DATE		50 HIGH STREET NORTH ANDOVER, MA 01845
	DRAWN BY B.PUCHASKI	02/27/17		CATEGORY <b>AUDIO/VIDEO</b>
ALL OTHER DIMENSIONAL TOLERANCES: .X = ± .2 [5.08] .XX = ± .02 [1.51] .XXX = ±.005 [1.13]	CHECKED BY J.LABOY	02/27/17	PRODUCT DESCRIPTION <b>HDMI MALE TO DVI MALE DONGLE</b>	SIZE <b>A</b> FSCM NO. <b>43321</b> DWG. NO. <b>HD-DVII-MM-3</b> REV. <b>B</b>
	APPROVED BY B.GATES	02/27/17		
PROJECTION 	SCALE: NONE    CAD FILE: HD-DVII-MM-3.SLDDRW		SHEET 1 OF 1	